

NOVA LUCE

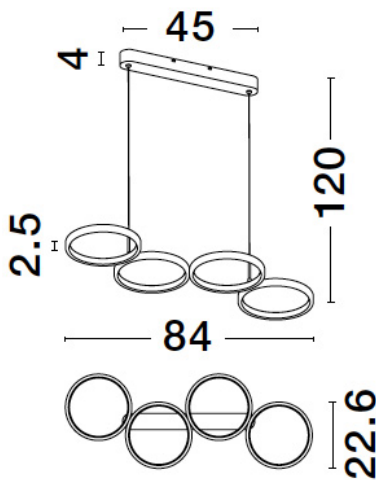
PRODUCT DATASHEET

Version: 001

PRODUCT PHOTOGRAPH



TECHNICAL DRAWING



GENERAL INFORMATION

| | |
|-------------------------|------------|
| Product Code | 9248118 |
| Collection | Decorative |
| Product Category | Suspension |
| Product Family | Magnus |
| Mounting Location | Ceiling |
| Application Environment | Indoor |

DIMENSION & WEIGHT

| | |
|--------------|--------------------|
| LxWxH (cm) | L: 84 W: 32 H: 120 |
| Cut out (cm) | N/A |
| Weight (Kgr) | 1.6 |

MATERIAL & COLOR

| | |
|---------------|---------------------|
| Product Color | Brass Gold |
| Body Material | Aluminium & Acrylic |

APPLICATION & MOUNTING

| | |
|----------------------------|-----------|
| Ambient Working Temp. | Max 45 oC |
| Type of Protection | IP20 |
| Dimmable | No |
| Type of Dimming (Optional) | N/A |
| Mounting type | Ceiling |
| Mounting Depth (cm) | N/A |
| Led Module Replaceable | No |
| Light Source | LED |

NOVA LUCE S.A

Schimatari Viotias
32009, Greece

+30 22620 58 121
+30 22620 56 743

info@novaluce.com
www.novaluce.com



NOVA LUCE

PRODUCT DATASHEET

Version: 001

ELECTRICAL DATA

| | |
|-------------------------|-------------------|
| Power (Nominal) | 41W |
| Input voltage (Nominal) | 220-240Vac |
| Mains Frequency | 50/60Hz |

PHOTOMETRICAL DATA

| | |
|---------------------------|-------------------|
| Luminous Flux | 2300 lm |
| Color Temperature | 3000K |
| Light Color (Designation) | Warm White |

WARRANTY

| | |
|----------|----------------|
| Warranty | 3 Years |
|----------|----------------|

CERTIFICATES

| | |
|--------------|----------------|
| Certificates | CE,UKCA |
|--------------|----------------|

