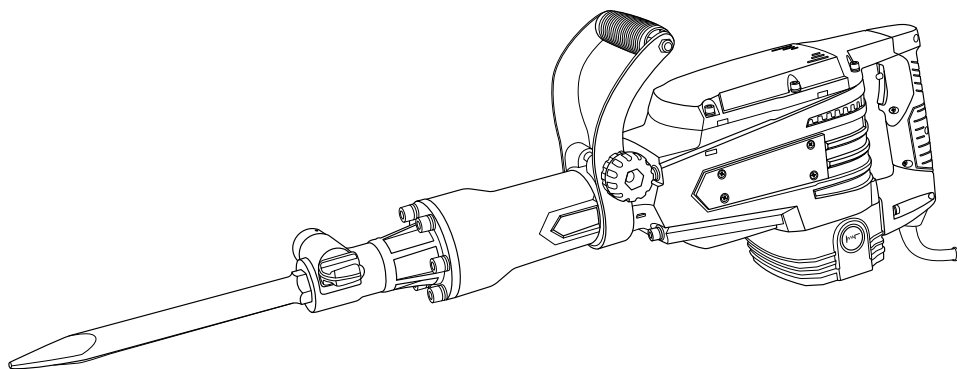


# Ronix<sup>®</sup>

Premium Quality

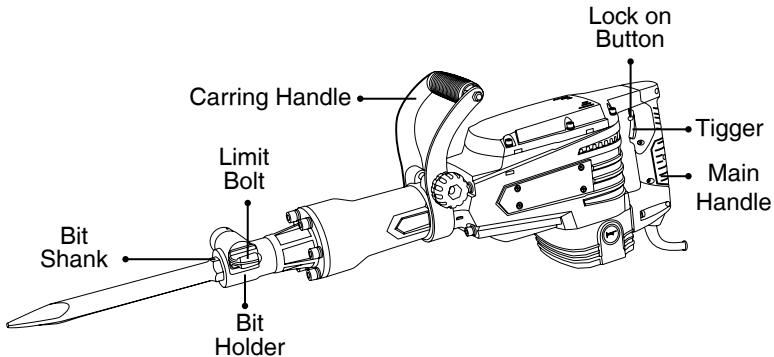
## DEMOLITION HAMMER 2816L



## SPECIFICATIONS

|                          |                  |
|--------------------------|------------------|
| Rated voltage /frequency | 220-240V~50/60HZ |
| Rated power              | 1600W            |
| Strike per min           | 1500min-1        |
| Impact energy            | 46J              |
| Tool holder              | HEX30            |

## PARTS LIST



## GENERAL POWER TOOL SAFETY

### **⚠ WARNING!**

Read all safety warnings and all instructions. Failure to follow the warnings and instructions may result in electric shock, fire and/or serious injury.

Save all warnings and instructions for future reference.

The term “power tool” in the warnings refers to your mains-operated (corded) power tool or battery-operated (cordless) power tool.

## ■ **WORK AREA SAFETY**

- a) Keep work area clean and well lit. Cluttered or dark areas invite accidents.
- b) Do not operate power tools in explosive atmospheres, such as in the presence of flammable liquids, gases or dust. Power tools create sparks which may ignite the dust or fumes.
- c) Keep children and bystanders away while operating a power tool. Distractions can cause you to lose control.

## ■ **ELECTRICAL SAFETY**

- a) Power tool plugs must match the outlet. Never modify the plug in any way. Do not use any adapter plugs with earthed (grounded) power tools. Unmodified plugs and matching outlets will reduce risk of electric shock.
- b) Avoid body contact with earthed or grounded surfaces, such as pipes, radiators, ranges and refrigerators. There is an increased risk of electric shock if your body is earthed or grounded.
- c) Do not expose power tools to rain or wet conditions. Water entering a power tool will increase the risk of electric shock.
- d) Do not abuse the cord. Never use the cord for carrying, pulling or unplugging the power tool. Keep cord away from heat, oil, sharp edges or moving parts. Damaged or entangled cords increase the risk of electric shock.
- e) When operating a power tool outdoors, use an extension cord suitable for outdoor use. Use of a cord suitable for outdoor use reduces the risk of electric shock.
- f) If operating a power tool in a damp location is unavoidable, use a residual current device (RCD) protected supply. Use of an RCD reduces the risk of electric shock.

## ■ PERSONAL SAFETY

a) Stay alert, watch what you are doing and use common sense when operating a power tool. Do not use a power tool while you are tired or under the influence of drugs, alcohol or medication. A moment of inattention while operating power tools may result in serious personal injury.

b) Use personal protective equipment. Always wear eye protection. Protective equipment such as dust mask, non-skid safety shoes, hard hat, or hearing protection used for appropriate conditions will reduce personal injuries.

c) Prevent unintentional starting. Ensure the switch is in the off-position before connecting to power source and/or battery pack, picking up or carrying the tool.

Carrying power tools with your finger on the switch or energizing power tools that have the switch on invites accidents.

d) Remove any adjusting key or wrench before turning the power tool on. A wrench or a key left attached to a rotating part of the power tool may result in personal injury.

e) Do not overreach. Keep proper footing and balance at all times. This enables better control of the power tool in unexpected situations.

f) Dress properly. Do not wear loose clothing or jewellery. Keep your hair, clothing and gloves away from moving parts. Loose clothes, jewellery or long hair can be caught in moving parts.

g) If devices are provided for the connection of dust extraction and collection facilities, ensure these are connected and properly used. Use of dust collection can reduce dust-related hazards.

## ■ POWER TOOL USE AND CARE

a) Do not force the power tool. Use the correct power tool for

your application. The correct power tool will do the job better and safer at the rate for which it was designed.

b) Do not use the power tool if the switch does not turn it on and off. Any power tool that cannot be controlled with the switch is dangerous and must be repaired.

c) Disconnect the plug from the power source and/or the battery pack from the power tool before making any adjustments, changing accessories, or storing power tools. Such preventive safety measures reduce the risk of starting the power tool accidentally.

d) Store idle power tools out of the reach of children and do not allow persons unfamiliar with the power tool or these instructions to operate the power tool. Power tools are dangerous in the hands of untrained users.

e) Maintain power tools. Check for misalignment or binding of moving parts, breakage of parts and any other condition that may affect the power tools operation. If damaged, have the power tool repaired before use. Many accidents are caused by poorly maintained power tools.

f) Keep cutting tools sharp and clean. Properly maintained cutting tools with sharp cutting edges are less likely to bind and are easier to control.

g) Use the power tool, accessories and tool bits etc. in accordance with these instructions, taking into account the working conditions and the work to be performed. Use of the power tool for operations different from those intended could result in a hazardous situation.

## ■ SERVICE

Have your power tool serviced by a qualified repair person using only identical replacement parts. This will ensure that the safety of the power tool is maintained.

## ■ SAFETY REGULATIONS

Please read the following instructions first before turning on power:

- 1) The working site shall be neat, operating field also requires a neat environment; sufficient illumination; cluttered or scattered things around may be dangerous;
- 2) The operator shall wear the appropriate clothing, do not wear the gauze glove and spacious clothes, etc., so as to prevent possible personal injuries caused by being caught in the rotating parts of machine. It is suggested to wear insulation shoes for outdoors operation.
- 3) Concentrated on the operation, maintains the balance of your body and holds the handle with two hands, so as to prevent the possible machine jumping during the notching work and affect the operation effect.
- 4) Do not let other people approach the operation; unauthorized access is not permitted on the working site except the operating personnel;
- 5) As for the fixing work, if it is applicable to be notched on the surface of movable parts, the tool shall be fixed.
- 6) Avoid implementing the operation on the water and oil surface or the site arranged with wire cable. Do not damage the wire cable and avoid the water or oil entering into electric appliances of motor or switch, etc.
- 7) Do not use in following area: it is prohibited to use in special circumstance of moist heat, snowy, explosive or corrosive gas area.
- 8) Correctly use the plug; do not exchange the plug arbitrarily; do not insert the plug that directly connected with the bare conductor into socket.
- 9) Do not connect the power cord arbitrarily; It is prohibited to

joint or exchange the length power arbitrarily; do not move the unit by pulling the power cord; do not contact the power cord with the power source and oil materials for preventing the phenomena of the damages of cable abrasion and shears broken.

10) To disconnect the plug promptly; disconnect the plug in case of the machine is idle or replacing the cutting tool and components, so as to prevent the electric shock.

## **OPERATION AND MAINTENANCE**

1) Chisel bits and drill bits may be flung out of the machine accidentally and cause serious injury:

2) Before starting to work, always check that the chisel or drill bit is properly locked in the chuck.

3) Examine the chuck regularly for signs of wear or damage.

4) Never start up a hammer tool until it pressed against a work piece (wall, ceiling, etc.).

5) When you are finished, unplug the hammer drill from the electric supply and remove the chisel or drill bit from the machine.

6) Always disconnect the hammer drill from the electric supply before you change a chisel or drill bit.

7) Protect your eyes and other workers from flying particles and splinters. Wear an eye protection!

8) Wear work gloves to protect fingers from bruising and grazing.

9) Vibrations can injure the hand-arm system. Keep exposure to vibrations as short as possible.

10) Always lead the mains cable away backwards from the device.

11. Store the device where it is inaccessible to children.

12. When carrying out work, always hold the device with both hands and ensure that you have a stable standing position.








## DESCRIPTION OF SYMBOLS

The rating plate on your tool may show certain symbols. These represent important information about the product or instructions on its use.

READ AND SAVE ALL INSTRUCTIONS FOR FUTURE USE

## ASSEMBLY

### CARRYING HANDLE

|                                                                                     |                                                         |
|-------------------------------------------------------------------------------------|---------------------------------------------------------|
|    | Conforms to relevant safety standards.                  |
|    | Read the instruction manual.                            |
|    | Wear hearing protection.                                |
|   | Wear eye protection.                                    |
|  | Wear respiratory protection.                            |
|  | Class II device. This device must not be earthed.       |
|  | Do not dispose of old appliances with domestic rubbish. |

The carrying handle can be turned to any position. Loosen the hand wheel, turn the carrying handle around the machine axis to the desired position and tighten the inner hex bolt again.

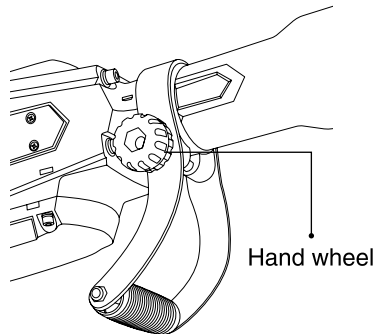


## ■ INSTALL BIT

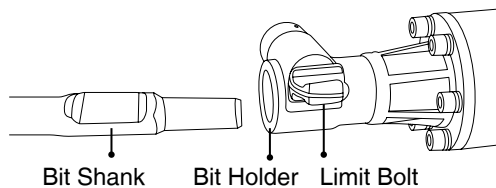
### ⚠ WARNING!

Before any work on the machine itself, pull the mains plug out of socket.

- Clean the bit shank and apply a light coat of grease.
- Pull out the limit bolt and turn it 180° in anticlockwise direction.



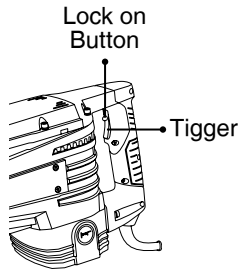
- Allow the limit bolt to latch again.
- Insert the bit into the bit holder to the stop. The groove of the bit shank must face upward.
- Pull out the limit bolt and turn it 180° in clockwise direction.
- Allow the limit bolt to latch again.
- Check the latching by pulling the bit.



## ■ SWITCHING ON AND OFF

To start the machine, press the trigger, while pressing the lock on button, the machine will continuous working.

For low temperatures, the machine reaches the full impact rate only after a certain time. This start-up time can be shortened by striking the chisel in the machine against the floor one time. To save energy, only switch the power tool on when using it.



## ■ SHARPENING CHISELS

Good results are only achieved with sharp chisels; therefore, sharpen the chiselling tools in good time. This ensures a long service life of the tools and good working performance.

## ■ RE-SHARPENING

Sharpen chiselling tools using grinding wheels (e.g. Ceramic bonded corundum wheel) with a steady supply of water. Reference values are shown in the figure. Take care that no annealing coloration appears on the cutting edges; this impairs the hardness of the chiselling tools. For forging, heat the chisel to between 850 and 1050 °C (bright red to yellow).

For hardening, heat the chisel to approx. 900°C and quench in oil. Then anneal in an oven for approx. one hour at 320°C.

## MAINTENANCE

- Remove the mains plug from the socket before carrying out any work on the device.
- Keep your machine clean at all times.
- Never use caustic agents to clean the plastic parts.
- At the end of your work, to prevent dust deposits you should use compressed air (max. 3 bar) to clean out the ventilation slots.
- Check the carbon brushes regularly (dirty or worn carbon brushes result in excessive sparking and speed faults) and replaced by an authorized specialist or after-sales service organization. (two pairs of carbon brush shall be replaced at the same time).

### ■ RECYCLING



Meaning of crossed - out wheeled dustbin:

Do not dispose of electrical appliances as unsorted municipal waste, use separate collection facilities. Contact you local government for information regarding the collection systems available. If electrical appliances are disposed of in landfills or dumps, hazardous substances can leak into the groundwater and get into the food chain, damaging your health and well-being.



**Ronix**<sup>®</sup>  
Premium Quality

[www.ronixtools.com](http://www.ronixtools.com)